

SOUNDERS – Up to 118 dB(A) EExd(e), Weatherproof DB3 Range



Sounder/Beacon
Combination Unit



Introduction

This range of light weight all GRP, flameproof sounders is intended for use in potentially explosive gas and dust atmospheres and has been designed with high ingress protection to cope with the harsh environmental conditions found offshore and onshore in the oil, gas and petrochemical industries.

The flamepaths, flare and the body, are manufactured completely from a UV stable glass reinforced polyester. Stainless steel screws and sinter are incorporated thus ensuring a corrosion free product. A tapered flamepath is used to overcome the problems of assembly of parallel spigot flamepaths.

An optional Exe terminal chamber is available.

An uncertified version is available for use in non-explosive atmospheres.

- ★ Zone 1, Zone 2 and non-Ex use.
- ★ EExde IIC T5.
- ★ ATEX approved, Ex II 2GD.
- ★ Optional Exe terminal chamber.
- ★ BASEEFA certified.
- ★ UL Listed for USA and Canada
 - Hazardous locations:
 - Class I, Div 2, Groups A-D.
 - Class I, Zones 1 & 2, AExd IIC T4.
 - Ordinary locations: Audible-Signal Device.
- ★ GOST 'R' & 'K' certified.
- ★ Chinese (CQST) certified.
- ★ Australian (SAA) certified.
- ★ IP66 and IP67.
- ★ *Certified temperature -55°C to $+70^{\circ}\text{C}$.
- ★ All GRP corrosion free flamepaths.
- ★ Up to 118dB(A) output.
- ★ Integral volume control.
- ★ 27 tones, user selectable.
- ★ Tones comply with UK00A/PFEER guidelines.
- ★ Any two tones may be switched via the external voltage supply.
- ★ Tones may be programmed to customer specification.
- ★ d.c. version accepts any voltage between 12V d.c. and 48V d.c.
- ★ End of line resistor option.
- ★ Sounder/Beacon Combination Unit available.
 - *Depending on version.

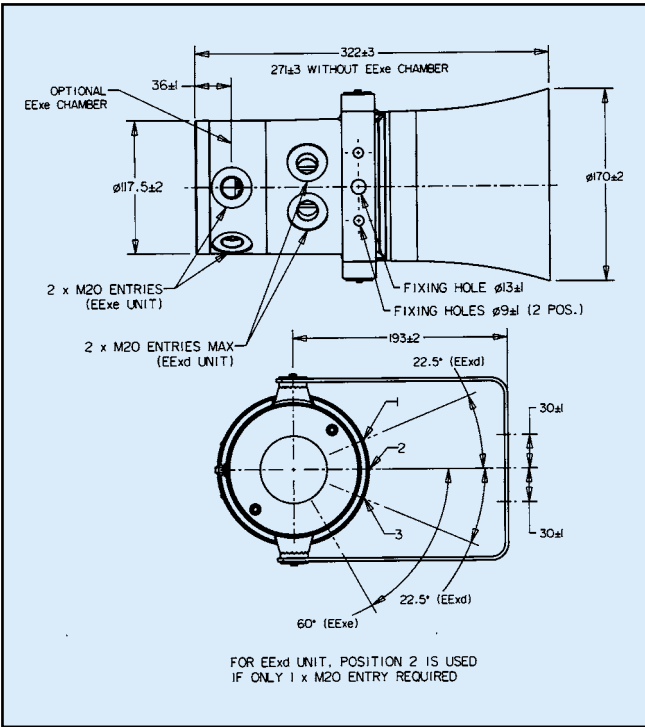
MEDC Ltd, Colliery Road,
Pinxton, Nottingham NG16 6JF, UK.
Tel: +44 (0)1773 864100
Fax: +44 (0)1773 582800

MEDC International, 5829 West Sam Houston Parkway,
North, Suite 1005, Houston, Texas 77041, USA.
Tel: +1 (713) 937 9772
Fax: +1 (713) 937 9773

MEDC Norway, Auglaendsmyraa 6,
4016, Stavanger, Norge.
Tel: +47 913 92 289
Fax: +47 914 46 030

Sales Enq. Fax: +44 (0)1773 582830 Sales Orders Fax: +44 (0)1773 582832
E-Mail: sales@medc.com Web: www.medc.com





Terminals:	4 x 2.5mm ² (a.c.), 6 x 2.5mm ² (d.c.).
Earth Continuity:	Included on EEExde version.
Mounting:	Stainless steel bracket with ratchet facility.
Labels:	Duty and tag labels optional.
Cable Entries:	Up to 2 x 20mm EEExd 2 x 20mm EEExe. Up to 2 x 1/2" NPT UL. Note: ATEX/UL Dual Listed version only up to 1/2" NPT available.
Tone Selection:	27 user selectable tones.
Sounder/Beacon Unit:	The DB3 may be combined with an MEDC beacon to create a combined audio/visual alarm. Contact MEDC for price and specification
Two Stage Unit DB3P:	Switchable between any two tones by either: (i) Reversing the polarity of the supply, or (ii) by a 3 wire common +ve system, switching between the two -ve lines. Note: Two stage unit available in d.c. versions only.
3/4 Tone Unit:	Remote 3 or 4 tone available – contact sales office for details.

Specification

Certification: CENELEC EN50014, 18, 19.
BASEEFA Cert. No. BAS00ATEX2097X, EEExd IIC.
BASEEFA Cert. No. BAS00ATEX2098X, EEExde IIC.
Zones 1 and 2.
UL Listed for USA and Canada
– Hazardous locations:
Class I Div 2, Groups A-D.
Class I Zones 1 & 2, AExd IIC T4.
Listing No: E203310.
– Ordinary locations: Audible-Signal Device.
Listing No. S8116.
Refer to UL data sheet at rear of catalogue for complete information.
GOST 'R' Certification: 1Exd IIC T4 & 1Exde IIC T4.
GOST 'K' Certification: 1Exd IIC T4.
Chinese (CQST) Certification: Exd IIC T4.

Material: Body & horn in anti-static, UV stable, glass reinforced polyester. Swivel bracket & captive cover screws in stainless steel.
Finish: Body and horn, natural black or epoxy paint coated to client's colour requirements.
Sound Output: Long Flare: 115dB(A) ± 3dB(A) (tone dependent).
Short Flare: 108dB(A) ± 3dB(A) (tone dependent).

Volume Control:	*Nominal Output (dBA)	Input Current (mA)
	93	50
	105	100
	108	150
	111	200
	112	250
	114	300
	115	350

*Output measured with 24V input voltage. Tone set to 970Hz continuous.

Weight: 6.0kg approx. dependent on model (+0.5kg for EEExe).

Certified Temperature:	EEExd	EEExde	UL	GOST 'R' & 'K' Exd	GOST 'R' Exde	Chinese Exd
DB3 & DB3P	-20°C to +70°C	-20°C to +45°C	-55°C to +70°C	-20°C to +50°C	-20°C to +40°C	-20°C to +55°C
DB3L & DB3LP	-55°C to +55°C	-55°C to +70°C	n/a	-55°C to +55°C	-55°C to +55°C	n/a

Ingress Protection: IP66 and IP67.
Fire Retardancy: GRP is fire retardant to ISO 1210.
Voltage: Up to 48V d.c. Up to 254V a.c.

Current Consumption:	V	I
	12V d.c.	760mA
	24V d.c.	380mA
	48V d.c.	190mA
	110V a.c.	135mA
	120V a.c.	124mA
	220V a.c.	68mA
	240V a.c.	62mA
	254V a.c.	59mA

Ordering Requirements

The following code is designed to help in selection of the correct unit. Build up the reference number by inserting the code for each component into the appropriate box. **For standard products, available ex-stock, contact sales office for details.**

Unit Type		Certification		Voltage		Labels		Entries		Options		Colour																																																																																	
<table border="1"> <thead> <tr> <th>Type</th> <th>Details</th> </tr> </thead> <tbody> <tr> <td>DB3</td> <td>Standard unit</td> </tr> <tr> <td>DB3P</td> <td>Two stage (d.c. only)</td> </tr> <tr> <td>*DB3L</td> <td>Low temp. standard unit</td> </tr> <tr> <td>*DB3LP</td> <td>Low temp. two stage (d.c. only)</td> </tr> </tbody> </table> <p>*Available unpainted only.</p>		Type	Details	DB3	Standard unit	DB3P	Two stage (d.c. only)	*DB3L	Low temp. standard unit	*DB3LP	Low temp. two stage (d.c. only)	<table border="1"> <thead> <tr> <th>Type</th> <th>Code</th> </tr> </thead> <tbody> <tr> <td>Uncertified</td> <td>W</td> </tr> <tr> <td>EEExd</td> <td>D</td> </tr> <tr> <td>EEExde</td> <td>E</td> </tr> <tr> <td>UL Listed</td> <td>UL</td> </tr> <tr> <td>UL (Ordinary Locations)</td> <td>UW</td> </tr> <tr> <td>ATEX/UL Dual Listed</td> <td>AU</td> </tr> <tr> <td>GOST 'R' Exd</td> <td>DG</td> </tr> <tr> <td>GOST 'R' Exde</td> <td>EG</td> </tr> <tr> <td>GOST 'K' Exd</td> <td>DK</td> </tr> <tr> <td>Chinese (CQST)</td> <td>Q</td> </tr> </tbody> </table>		Type	Code	Uncertified	W	EEExd	D	EEExde	E	UL Listed	UL	UL (Ordinary Locations)	UW	ATEX/UL Dual Listed	AU	GOST 'R' Exd	DG	GOST 'R' Exde	EG	GOST 'K' Exd	DK	Chinese (CQST)	Q	<table border="1"> <thead> <tr> <th>Voltage</th> <th>Code</th> </tr> </thead> <tbody> <tr> <td>12V - 48V d.c.</td> <td>048</td> </tr> <tr> <td>*110V a.c.</td> <td>110</td> </tr> <tr> <td>*120V a.c.</td> <td>120</td> </tr> <tr> <td>*220V a.c.</td> <td>220</td> </tr> <tr> <td>*240V a.c.</td> <td>240</td> </tr> <tr> <td>*254V a.c.</td> <td>254</td> </tr> </tbody> </table> <p>*DB3P not available in a.c. version.</p>		Voltage	Code	12V - 48V d.c.	048	*110V a.c.	110	*120V a.c.	120	*220V a.c.	220	*240V a.c.	240	*254V a.c.	254	<table border="1"> <thead> <tr> <th>Label</th> <th>Code</th> </tr> </thead> <tbody> <tr> <td>Duty</td> <td>D*</td> </tr> <tr> <td>Tag</td> <td>T*</td> </tr> <tr> <td>None</td> <td>N</td> </tr> </tbody> </table> <p>*Please specify wording</p>		Label	Code	Duty	D*	Tag	T*	None	N	<table border="1"> <thead> <tr> <th>Features</th> <th>Code</th> </tr> </thead> <tbody> <tr> <td>None</td> <td>N</td> </tr> <tr> <td>End of line resistor</td> <td>E*</td> </tr> <tr> <td>Special tone</td> <td>S</td> </tr> </tbody> </table> <p>*State value.</p>		Features	Code	None	N	End of line resistor	E*	Special tone	S	<table border="1"> <thead> <tr> <th>Entries</th> <th>Code</th> <th>Colour</th> <th>Code</th> </tr> </thead> <tbody> <tr> <td>1 x 20mm (EEExd)</td> <td>1B</td> <td>Natural Black</td> <td>N</td> </tr> <tr> <td>2 x 20mm (EEExd/EEExde)</td> <td>2B</td> <td>Red</td> <td>R</td> </tr> <tr> <td>1 x 1/2" NPT (UL only)</td> <td>1C</td> <td>Special</td> <td>S*</td> </tr> <tr> <td>2 x 1/2" NPT (UL only)</td> <td>2C</td> <td></td> <td>*Please specify</td> </tr> </tbody> </table>		Entries	Code	Colour	Code	1 x 20mm (EEExd)	1B	Natural Black	N	2 x 20mm (EEExd/EEExde)	2B	Red	R	1 x 1/2" NPT (UL only)	1C	Special	S*	2 x 1/2" NPT (UL only)	2C		*Please specify
Type	Details																																																																																												
DB3	Standard unit																																																																																												
DB3P	Two stage (d.c. only)																																																																																												
*DB3L	Low temp. standard unit																																																																																												
*DB3LP	Low temp. two stage (d.c. only)																																																																																												
Type	Code																																																																																												
Uncertified	W																																																																																												
EEExd	D																																																																																												
EEExde	E																																																																																												
UL Listed	UL																																																																																												
UL (Ordinary Locations)	UW																																																																																												
ATEX/UL Dual Listed	AU																																																																																												
GOST 'R' Exd	DG																																																																																												
GOST 'R' Exde	EG																																																																																												
GOST 'K' Exd	DK																																																																																												
Chinese (CQST)	Q																																																																																												
Voltage	Code																																																																																												
12V - 48V d.c.	048																																																																																												
*110V a.c.	110																																																																																												
*120V a.c.	120																																																																																												
*220V a.c.	220																																																																																												
*240V a.c.	240																																																																																												
*254V a.c.	254																																																																																												
Label	Code																																																																																												
Duty	D*																																																																																												
Tag	T*																																																																																												
None	N																																																																																												
Features	Code																																																																																												
None	N																																																																																												
End of line resistor	E*																																																																																												
Special tone	S																																																																																												
Entries	Code	Colour	Code																																																																																										
1 x 20mm (EEExd)	1B	Natural Black	N																																																																																										
2 x 20mm (EEExd/EEExde)	2B	Red	R																																																																																										
1 x 1/2" NPT (UL only)	1C	Special	S*																																																																																										
2 x 1/2" NPT (UL only)	2C		*Please specify																																																																																										



All the above specifications, dimensions, weights and tolerances are nominal (typical) and MEDC reserve the right to vary all data without prior notice. No liability is accepted for any consequence of use.