

## TREE 4TX Metal - Unmanaged Switch - 4 Ports

4 port unmanaged switch  
(UL-Listed)

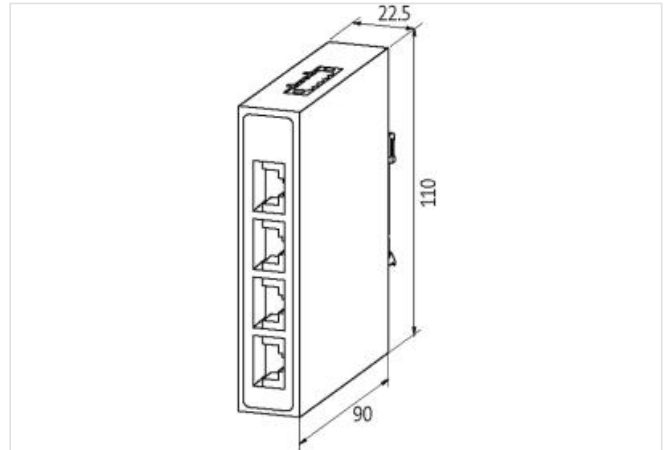
Connection cables are in the online shop under "Connection Technology".

### [Link naar het product](#)

#### Afbeelding



Product van afwijken van afbeelding



#### Commerciële gegevens

ECLASS-6.0	19170106
ECLASS-6.1	19170106
ECLASS-7.0	19170106
ECLASS-8.0	19170106
ECLASS-9.0	19170402
ECLASS-10.1	19170402
ECLASS-11.1	19170402
ECLASS-12.0	19170402
ETIM-5.0	EC000734
Douane tarief nummer	85176200
GTIN	4048879439497
Verpakkingseenheid	1

#### Electrical data | Supply

Operating voltage DC min.	9 V
Operating voltage DC max.	48 V
Power consumption max.	4 W

#### Industrial communication

Data transmission rate max.	100 MBit/s
-----------------------------	------------

#### Industrial communication | Ethernet functionality

Auto-crossover	yes
Auto-negotiation	yes
duplex	Full duplex

Switch type	unmanaged
VLAN unmanaged (IEEE 802.1Q)	yes
<b>Diagnostics</b>	
Alarm contact	no
Diagnostic	No voltage
LED display	Ethernet connection/data traffic
<b>Device protection   Electrical</b>	
Degree of protection (EN IEC 60529)	IP50
<b>Mechanical data   Material data</b>	
Color housing	black
Material housing	Metal
<b>Mechanical data   Mounting data</b>	
Mounting method	geschnappt
Suitable for mounting type	Mounting rail TH35, (EN 60715)
Height	110 mm
Width	22,5 mm
Depth	89,6 mm
<b>Environmental characteristics   Climatic</b>	
Operating temperature min.	-10 °C
Operating temperature max.	70 °C
Storage temperature min.	-40 °C
Storage temperature max.	85 °C
<b>Connection type 2</b>	
Connection type 1	4
Connection type 2	X1
Family construction form	RJ45
Gender	female
Color contact carrier	black
No. of poles	8
PIN 1	TD +
PIN 2	TD -
PIN 3	RD +
PIN 4	n.c.
PIN 5	n.c.
PIN 6	RD -
PIN 7	n.c.
PIN 8	n.c.
Connection	Plug-in terminals RK
Family construction form	terminal
Gender	male
Color contact carrier	green
No. of poles	5
PIN 1	24 V DC (US)
PIN 2	0 V (US)
PIN 3	24 V DC (UA)
PIN 4	0 V (UA)
PIN 5	PE