

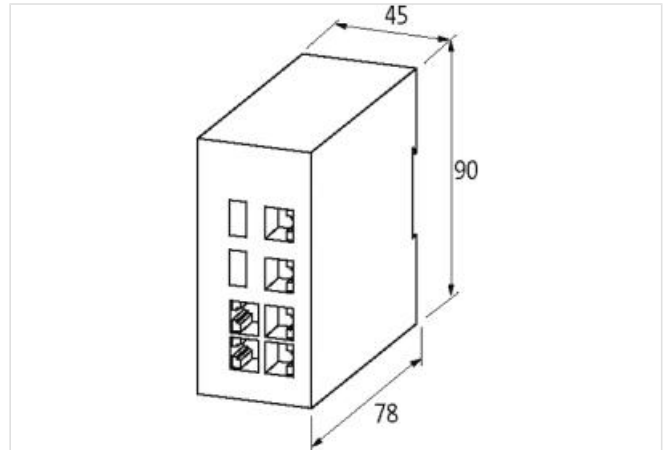
## TREE 8TX METALL - UNMANAGED SWITCH - 8 PORTS

8 port unmanaged switch

Connection cables are in the online shop under "Connection Technology".

### [Link naar het product](#)

#### Afbeelding



Product van afwijken van afbeelding



#### Commerciële gegevens

ECLASS-6.0	19170106
ECLASS-6.1	19170106
ECLASS-7.0	19170106
ECLASS-8.0	19170106
ECLASS-9.0	19170402
ECLASS-10.1	19170402
ECLASS-11.1	19170402
ECLASS-12.0	19170402
ETIM-5.0	EC000734
Douane tarief nummer	85176200
GTIN	4048879329576
Verpakkingseenheid	1

#### Electrical data | Supply

Operating voltage DC min.	9 V
Operating voltage DC max.	48 V
Current consumption max.	350 mA

#### Industrial communication

Data transmission rate max.	100 MBit/s
-----------------------------	------------

#### Industrial communication | Ethernet functionality

Auto-crossover	yes
Auto-negotiation	yes
duplex	Full duplex
Switch type	unmanaged

VLAN unmanaged (IEEE 802.1Q)	yes
------------------------------	-----

#### Diagnostics

Alarm contact	no
Diagnostic	No voltage
LED display	Ethernet connection/data traffic

#### Device protection | Electrical

Degree of protection (EN IEC 60529)	IP40
Invers-polarity protection	yes
Over voltage protection	yes

#### Mechanical data | Material data

Color housing	black
Material housing	Metal

#### Mechanical data | Mounting data

Mounting method	geschnappt
Suitable for mounting type	Mounting rail TH35, (EN 60715)
Height	90 mm
Width	45,2 mm
Depth	78 mm

#### Environmental characteristics | Climatic

Operating temperature min.	-10 °C
Operating temperature max.	70 °C
Storage temperature min.	-40 °C
Storage temperature max.	85 °C

#### Connection type 2

Connection type 1	8
Connection type 2	X1
Family construction form	RJ45
Gender	female
Color contact carrier	black
No. of poles	8
PIN 1	TD +
PIN 2	TD -
PIN 3	RD +
PIN 4	n.c.
PIN 5	n.c.
PIN 6	RD -
PIN 7	n.c.
PIN 8	n.c.
Connection	Plug-in terminals RK
Family construction form	terminal
Gender	male
Color contact carrier	green
No. of poles	5
PIN 1	24 V DC (UB 2)
PIN 2	0 V
PIN 3	24 V DC (UB 1)
PIN 4	0 V
PIN 5	PE