

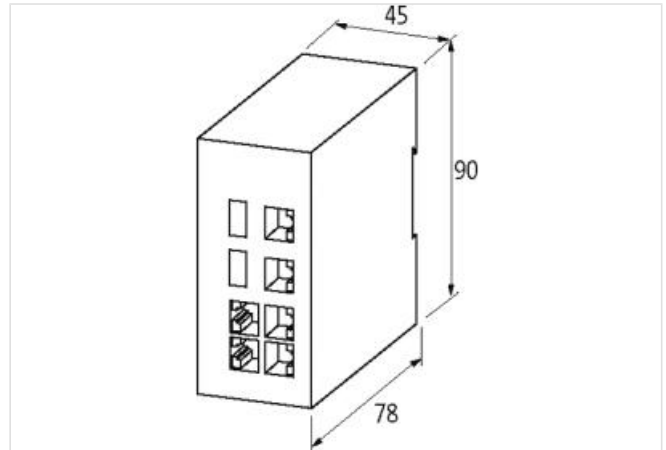
TREE 6TX METALL - UNMANAGED SWITCH - 6 PORTS

6 port unmanaged switch

Connection cables are in the online shop under "Connection Technology".

[Link naar het product](#)

Afbeelding



Product van afwijken van afbeelding



Commerciële gegevens

ECLASS-6.0	19170106
ECLASS-6.1	19170106
ECLASS-7.0	19170106
ECLASS-8.0	19170106
ECLASS-9.0	19170402
ECLASS-10.1	19170402
ECLASS-11.1	19170402
ECLASS-12.0	19170402
ETIM-5.0	EC000734
Douane tarief nummer	85176200
GTIN	4048879339728
Verpakkingseenheid	1

Electrical data | Supply

Operating voltage DC min.	9 V
Operating voltage DC max.	30 V

Industrial communication

Data transmission rate max.	100 MBit/s
-----------------------------	------------

Industrial communication | Ethernet functionality

Auto-crossover	yes
Auto-negotiation	yes
duplex	Full duplex
Switch type	unmanaged
VLAN unmanaged (IEEE 802.1Q)	yes

Diagnostics	
Alarm contact	no
Diagnostic	No voltage
LED display	Ethernet connection/data traffic
Device protection Electrical	
Degree of protection (EN IEC 60529)	IP40
Invers-polarity protection	yes
Over voltage protection	yes
Mechanical data Material data	
Color housing	black
Material housing	Metal
Mechanical data Mounting data	
Mounting method	geschnappt
Suitable for mounting type	Mounting rail TH35, (EN 60715)
Height	90,6 mm
Width	45,2 mm
Depth	78,7 mm
Connection type 3	
Connection type 1	6
Connection type 2	X1
Connection type 3	X1
Family construction form	RJ45
Gender	female
Color contact carrier	black
No. of poles	8
PIN 1	TD +
PIN 2	TD -
PIN 3	RD +
PIN 4	n.c.
PIN 5	n.c.
PIN 6	RD -
PIN 7	n.c.
PIN 8	n.c.
Connection	Plug-in terminals RK
Family construction form	terminal
Gender	male
Color contact carrier	green
No. of poles	3
PIN 1	FE
PIN 2	0 V
PIN 3	24 V DC (UB 1)
Connection	Plug-in terminals RK
Family construction form	terminal
Gender	male
Color contact carrier	green
No. of poles	3
PIN 1	FE
PIN 2	0 V
PIN 3	24 V DC (UB 2)