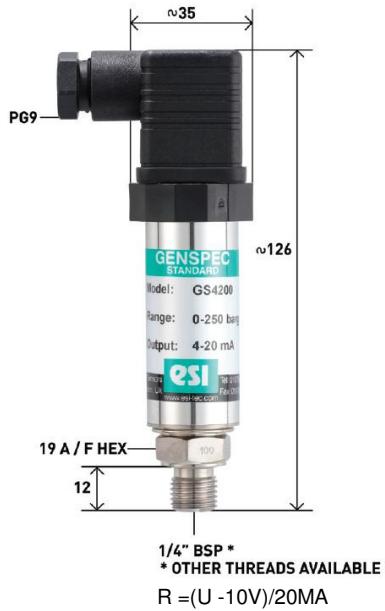
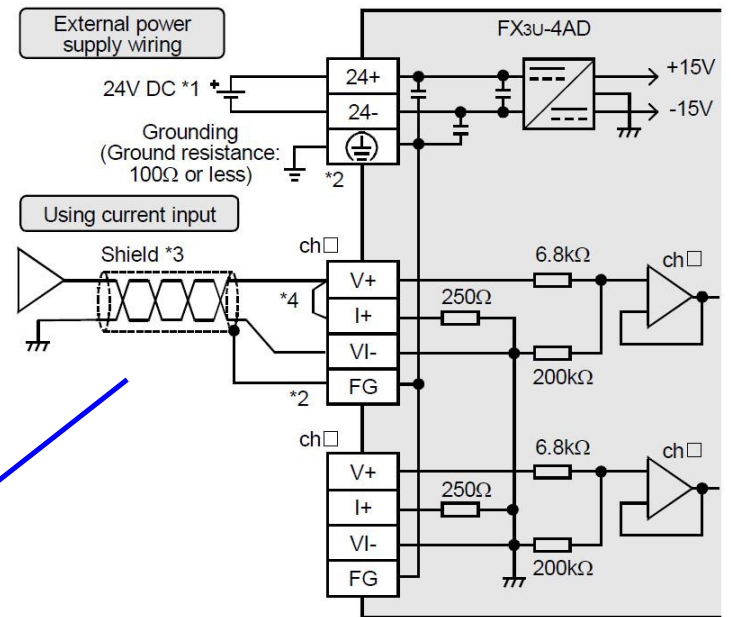
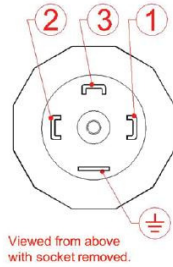


DIMENSIONS (in mm)

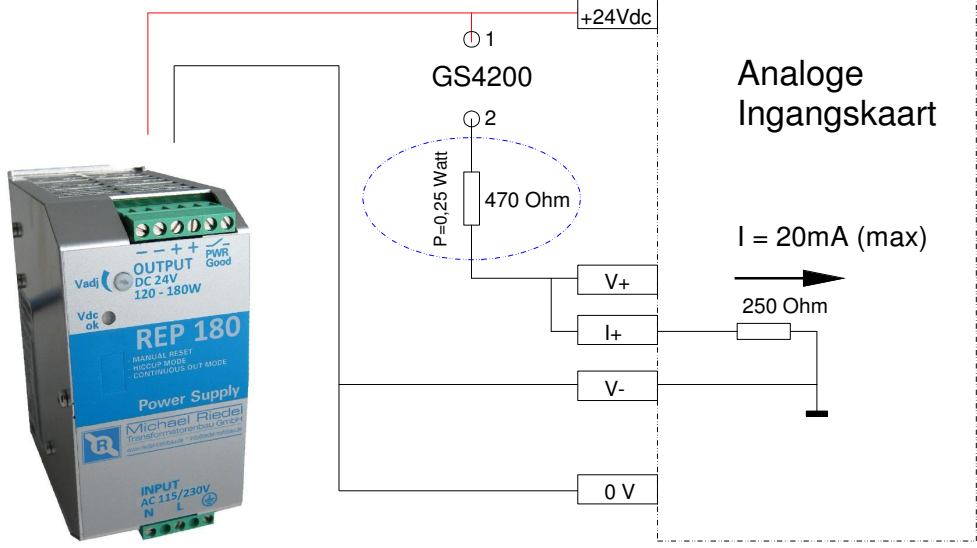


ELECTRICAL CONNECTION (mA)

Pin No.	2 wire
1	+supply
2	4-20mA signal
3	not fitted to case
⊥	

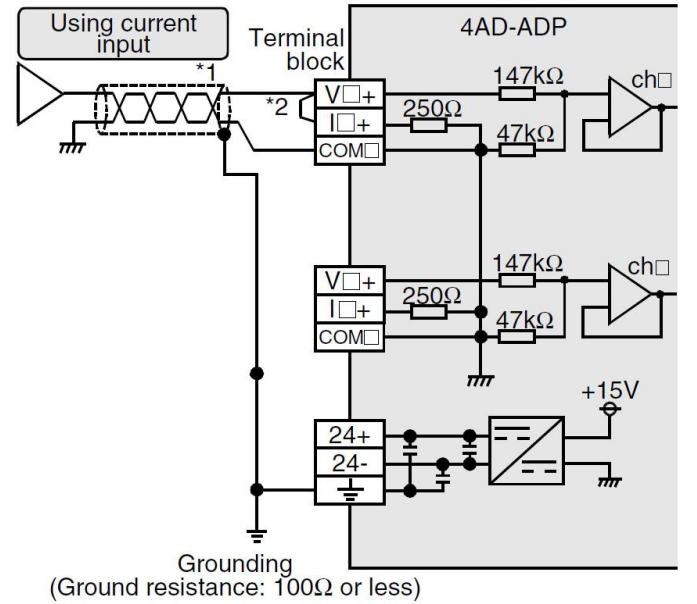


ch □ : □ represents the channel number.



POWERED BY RIEDEL

Weerstand: E12 reeks
 470 Ohm / 0,25 Watt



solar	Artikelnummer:	Project;	Locatie;	AI 4-20mA	
	Datum	Schaal	Solar T.P.S.		
	17-04-2014	N.v.t.	NL18JR		
			Versie	Pagina	
			A	1 of 1	